



Main Features:-

- ◆ Full Bore Ball Valve
- ◆ DN10 to DN50 PN25
- ◆ Female BSP Ends (3029N-NPT)
- ◆ Working Temperature -20°C to 110°C *
- ◆ Working by means of steel lever handle

*Temperature and pressure determined by valve body, seat etc.



Suitable Applications & Approvals:



HVAC



OIL



GAS



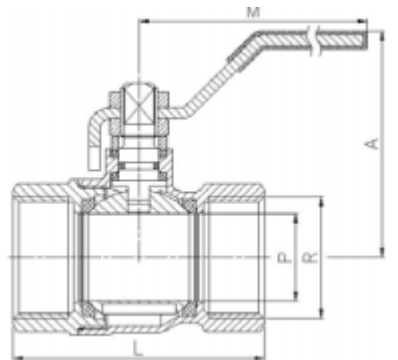
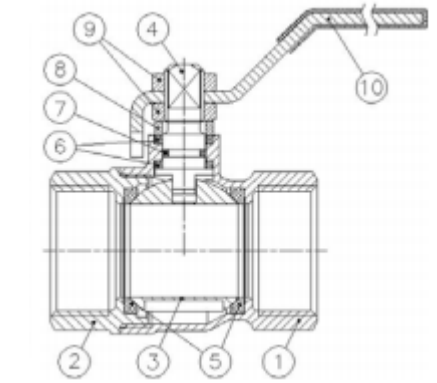
INDUSTRY

SERIES: 80053

MANUFACTURER: **GENEBRE**

VALVE MATERIALS & DIMENSIONS

ITEM	SECTION	MATERIAL	ADDITIONAL INFO / OPTIONS
1	Body	Brass	Peened + Chromed
2	Cap	Brass	Peened + Chromed
3	Ball	Brass	Chrome Plated
4	Stem	Brass	Chrome Plated
5	Ball Seat	PTFE	n/a
6	Stem Packing	PTFE	n/a
7	O'Ring	NBR	n/a
8	Stem Ring	Brass	Chrome Plated
9	Nut	Brass	Chrome Plated
10	Handle	Steel	n/a



REF	SIZE	DN	P	A	L	M	Kg
80053-02	1/4"	10	10	46	40	84	0.105
80053-03	3/8"	10	10	46	43	84	0.110
80053-04	1/2"	15	14	47	49	84	0.150
80053-05	3/4"	20	19	58	56	98	0.250
80053-06	1"	25	24	61	68	98	0.380
80053-07	1 1/4"	32	30	74	80	126	0.595
80053-08	1 1/2"	40	37	80	89	126	0.830
80053-09	2"	50	46.5	91	104	158	1.330
80053-10	2 1/2"	65	58.5	101	137	158	2.475
80053-11	3"	80	72	131	158	196	3.925
80053-12	4"	100	90	145	183	265	6.005



T +44 (0)1386 552369

E sales@allvalves.co.uk

W www.allvalves.co.uk

F +44 (0)1386 554227



Genebre are a global brand of industrial valves with large stocks held for fast delivery on various type of valves, sizes, end connections and materials.

SERIES: 80053

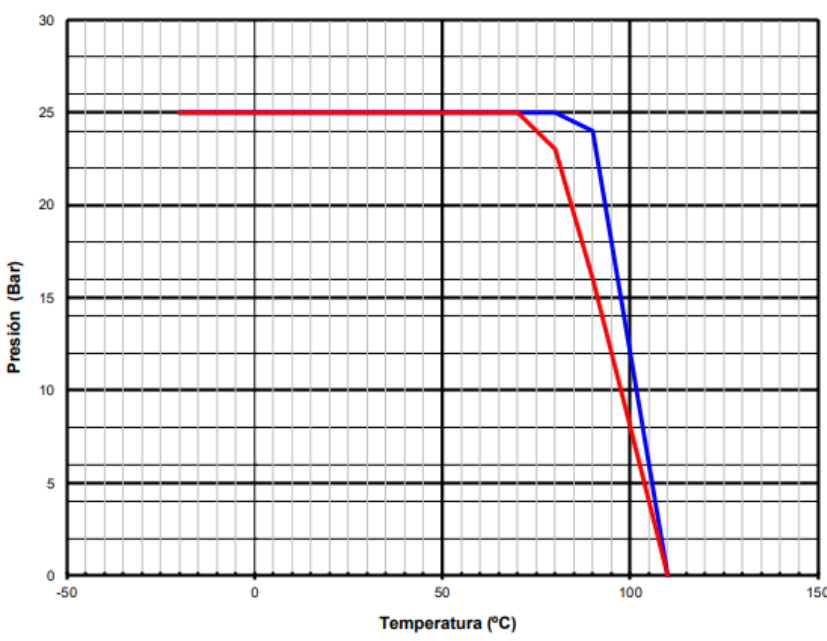
TORQUE / Kv VALUES / PRESSURE & TEMP CHART

REF	SIZE	TORQUE Nm	REF	SIZE	Kv
80053-02	1/4"	N/A	80053-02	1/4"	3.5
80053-03	3/8"	N/A	80053-03	3/8"	5.5
80053-04	1/2"	N/A	80053-04	1/2"	16
80053-05	3/4"	N/A	80053-05	3/4"	30
80053-06	1"	N/A	80053-06	1"	45
80053-07	1 1/4"	N/A	80053-07	1 1/4"	70
80053-08	1 1/2"	N/A	80053-08	1 1/2"	115
80053-09	2"	N/A	80053-09	2"	210
80053-10	2 1/2"	N/A	80053-10	2 1/2"	335
80053-11	3"	N/A	80053-11	3"	405
80053-12	4"	N/A	80053-12	4"	800

- The liquid listed in the table are initial breakaway torques, taken with liquids and lubricant media.

- Please regard these as approximate values, as the objective value on different factors like pressure, medium, rubber

PRESSURE AND TEMPERATURE CHART



GENEBRE

Genebre is a leading company and world reference in fluid control and high-quality taps. They control all the creation processes, responding to the specific needs of each market: from the initial concept and design of the product to the production and commercialization.



T +44 (0)1386 552369

E sales@allvalves.co.uk

W www.allvalves.co.uk

F +44 (0)1386 554227